

# BEECH OVENS



WORLD LEADER IN SPECTACULAR COOKING EQUIPMENT



**T**he Beech Duck Oven recreates the essence and unique cooking ability of a traditional Peking duck oven. The magic of this style of cooking lies in the ability to produce succulent roast meat encased in delicious crisp skin. We have applied our extensive experience in re-engineering traditional culinary techniques to bring this cooking style into the modern display kitchen.

The duck oven is similar in construction to our range of round stone hearth ovens, however; it is taller, with a higher door and internal ceiling rails to hang the product. We have incorporated a gas system for convenience, while retaining the ability to use wood fire for flavour enhancement and visual appeal. An adjustable oven door ensures a consistent even temperature is maintained inside the oven at all times.

When not used for roasting ducks the water filled drip trays can be removed allowing other dishes, such as pizza, to be cooked on the stone hearth floor.

The Beech duck oven is available in a range of standard sizes or can be custom built to your requirements. Additional visual features such as built in spot lights and viewing windows allow this duck oven to take centre stage in your restaurant.

december 2006

peking duck ovens

# peking duck ovens

Model MM ID	FT OD	Duck Capacity (approx)
STD-FGS850DK-1000 (580mm)	4	6
STD-DK900-1000 (900mm)	4	6
STD-DK1100-1000 (1100mm)	4.5	8
STD-DK1300-1000 (1300mm)	5	10
STD-DK1500-1000 (1500mm)	6	12
STD-DK1800-1000 (1800mm)	7	16

## Oven Accessories

- Internal Spotlight
- Viewing Window
- Steel or Glass Door
- SS or Granite Hearth
- Spray Filter (Wet Scrubber) – Canopy is advised
- Digital/Analogue Thermometer
- Custom Design Service

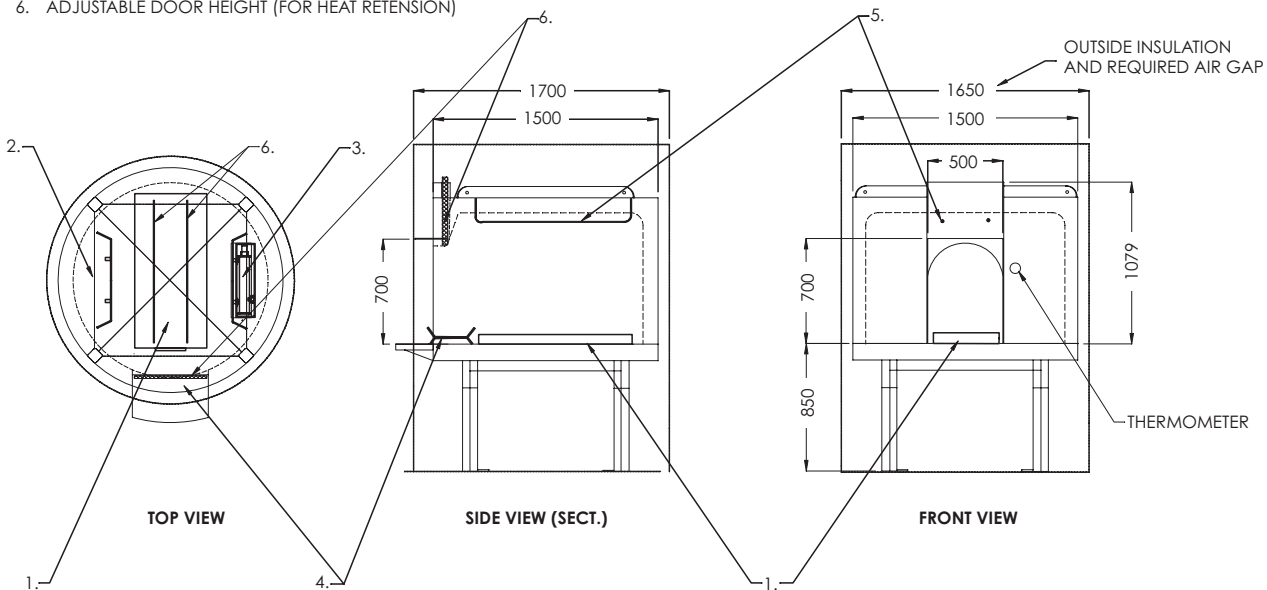
## High Profile Installations:

- Amari Orchid Pattaya Resort, Thailand
- Fisherman's Wharf, Macau
- Kempinski Mall of the Emirates, Dubai
- Hilton Millennium, Bangkok
- Shangri-La, Jakarta
- Verve Hotel, London

### BEECH OVENS: CONCEPTUAL "DUCK-OVEN"

#### FEATURES:

1. REMOVABLE S/S DRIP TRAY
2. INTERNAL AREA FOR FIRE
3. GAS ASSIST HEAT UP
4. REMOVABLE FIRE GRATE AT DOOR
5. 2 HANGING RAILS
6. ADJUSTABLE DOOR HEIGHT (FOR HEAT RETENSION)



#### NOTE:

- ITEM 1. DRIP TRAY HOLDS WATER IN BASE.  
 ITEM 4. CAST IRON FIRE GRATE.  
 ITEM 6. ADJUSTABLE PANEL TO RETAIN HEAT IN OVEN.

[www.beechovens.com](http://www.beechovens.com)

36 Gladys Street, Stones Corner, Queensland, Australia, 4120

Tel: (617) 3397 0277

Fax: (617) 3397 0030

e-Mail: [sales@beechovens.com.au](mailto:sales@beechovens.com.au)

Web: [www.beechovens.com](http://www.beechovens.com)

ABN 14 115 371 741

# BEECH OVENS



WORLD LEADER IN SPECTACULAR COOKING EQUIPMENT