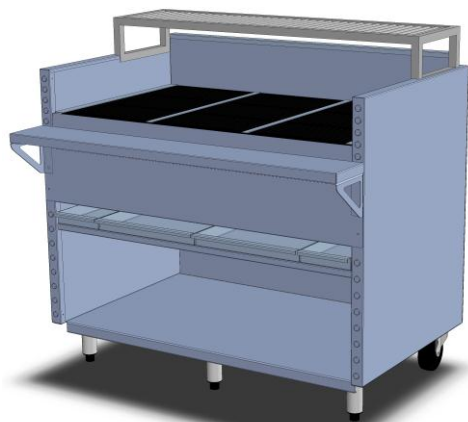




PRODUCT



MANUFACTURER

BEECH OVENS

MODEL NUMBER

CGC1200

PRODUCT DESCRIPTION

Charcoal Fired Char Grill – 1200mm Wide OD

OA Width:

1200mm.

OA Depth:

869mm.

OA Height:

1157mm.

MANUFACTURED IN AUSTRALIA

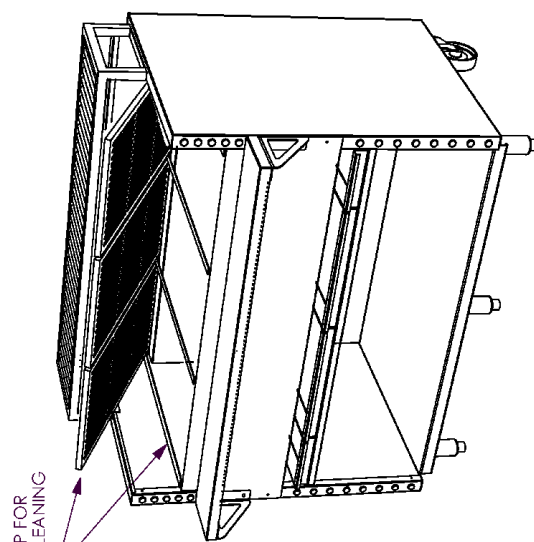
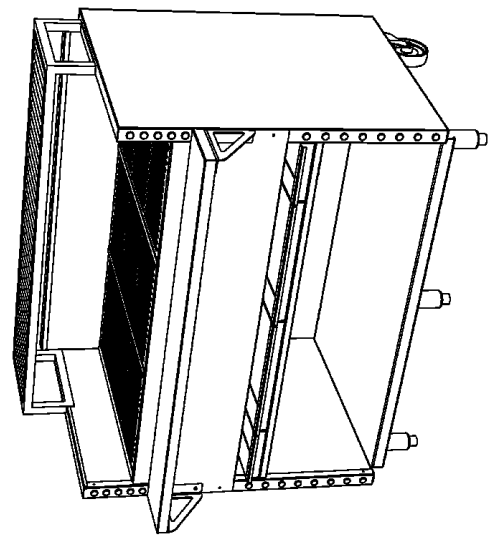
www.beechovens.com

SPECIFICATIONS

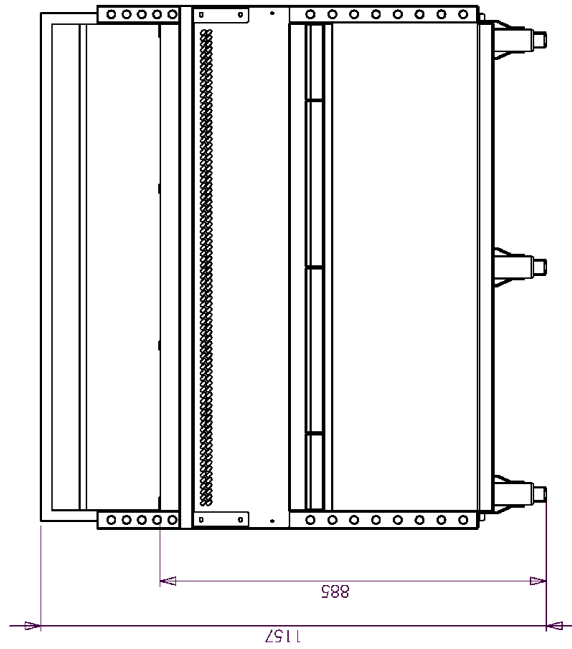
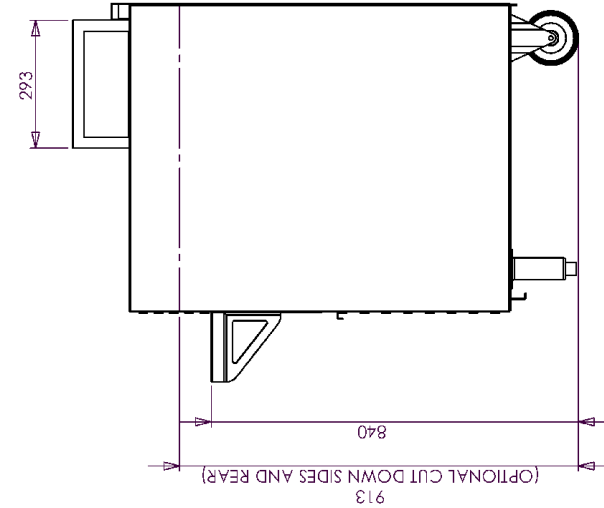
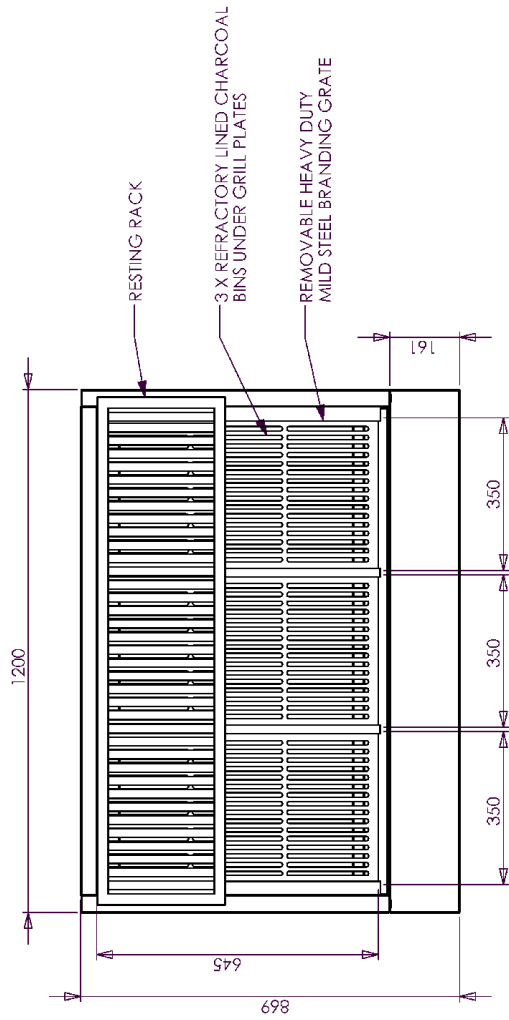
Purpose	Charcoal Fired grill for cooking meat, fish and other dishes.
Construction	High quality stainless steel construction with 3 x heavy duty, removable mild steel branding grates. Heavy duty refractory lined charcoal bins. Castors rear and adjustable feet on front with storage shelf below, removable drip trays and resting/cooking rack above branding grates.
Firing Type	Charcoal (Gas option available – See separate brochure)
Gas	N/A
Exhaust Requirements	Under locally approved exhaust Canopy/Hood.
MEP Ratings	Gas Connection - N/A Electrical – 240VAC @ 50Hz 10Amp – 1 Phase power point for electric Charcoal Ignition Wand. Install under approved exhaust Canopy/Hood.
Capacity	Grilling surface approx. 3 x 350mm wide x 645mm deep.
Accessories	Grate cleaning tool. Stainless steel second tier resting rack. Optional cut down sides and rear for flush fit into bench at 913mm high.
Safety	Dispose of hot ashes in approved metal container. Store hot ashes well clear of combustible material until cool.
Special Requirements	Must be kept well clear of combustible material (min 250mm from side and rear walls) in accordance with local regulation. To be installed and connected by qualified personnel in accordance with local regulation.

NOTES:

- INSTALLATION UNDER APPROVED EXHAUST HOOD/CANOPY REQUIRED (CHECK LOCAL CODES AND REGULATIONS)
- SERVICES REQUIRED - SEE BLUE TEXT
- ELECTRIC CHARCOAL IGNITION WAND SUPPLIED AS STANDARD 240VAC @ 10 Amp - 1 Phase POWER OUTLET REQUIRED UNDER OR NEAR APPLIANCE
- GAS CHARCOAL IGNITION WAND AVAILABLE ON REQUEST
- TOTAL PACKED WEIGHT = Approx 300kg (660lbs)



GRILLING PLATES TILTED UP FOR CHARCOAL LOADING/CLEANING (TOOLS SUPPLIED)



BEECH OVENS
Australia
(617) 3397 0277

Drawn S Trood	Checked	Scale 1:12	Date 17/01/2012
CHAR GRILL CHARCOAL 1200mmW OD RESTING RACK HIGH SIDES STANDARD			A3 NTS - SITE MEASURE
CGC1200-1000 - DETAILS			

ISSUED FOR CONSTRUCTION	CHANGED BY
REV. DESCRIPTION OF CHANGES	DATE
0	