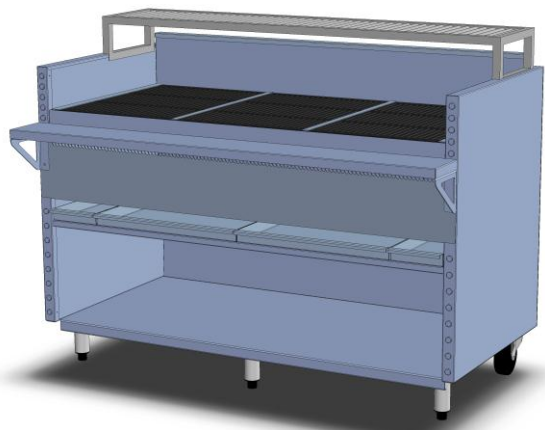




PRODUCT



MANUFACTURER

BEECH OVENS

MODEL NUMBER

CGC1500

PRODUCT DESCRIPTION

Charcoal Fired Char Grill – 1500mm Wide OD

OA Width:

1500mm.

OA Depth:

869mm.

OA Height:

1157mm.

MANUFACTURED IN AUSTRALIA

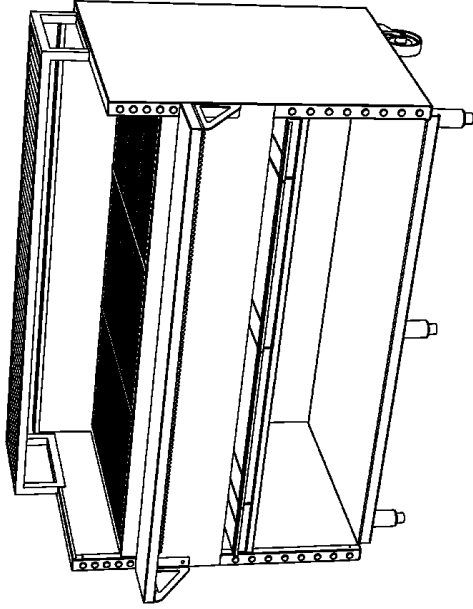
www.beechovens.com

SPECIFICATIONS

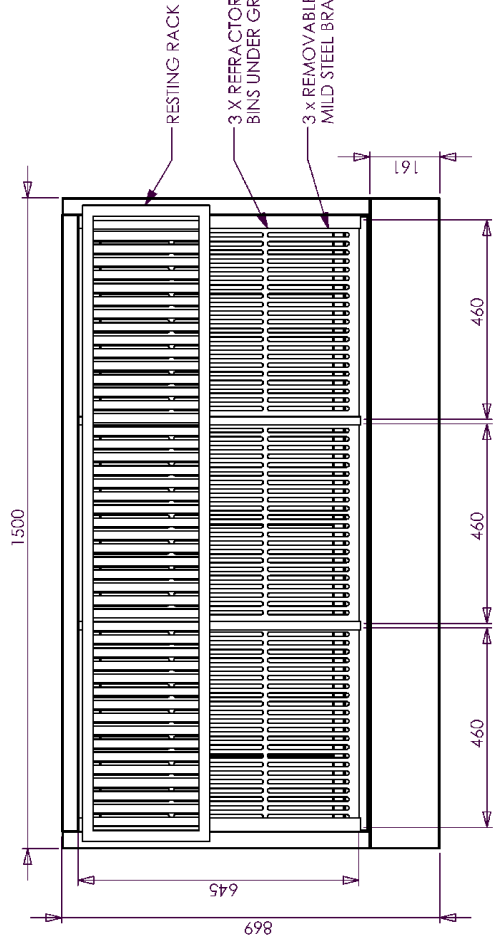
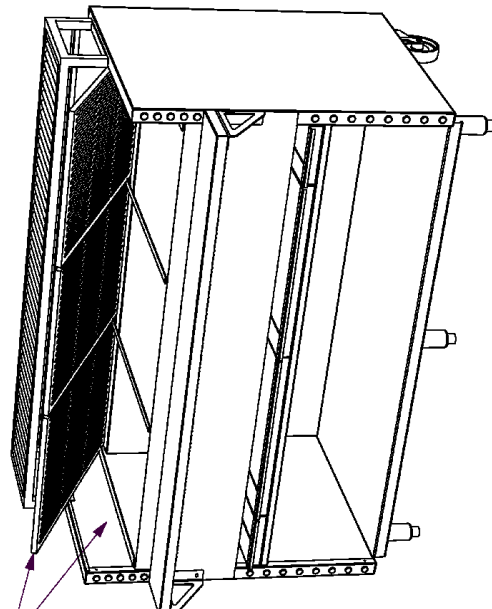
Purpose	Charcoal Fired grill for cooking meat, fish and other dishes.
Construction	High quality stainless steel construction with 3 x heavy duty, removable mild steel branding grates. Heavy duty refractory lined charcoal bins. Castors rear and adjustable feet on front with storage shelf below, removable drip trays and resting/cooking rack above branding grates.
Firing Type	Charcoal (Gas option available – See separate brochure)
Gas	N/A
Exhaust Requirements	Under locally approved exhaust Canopy/Hood.
MEP Ratings	Gas Connection - N/A Electrical – 240VAC @ 50Hz 10Amp – 1 Phase power point for electric Charcoal Ignition Wand. Install under approved exhaust Canopy/Hood.
Capacity	Grilling surface approx. 3 x 460mm wide x 645mm deep.
Accessories	Grate cleaning tool. Stainless steel second tier resting rack. Optional cut down sides and rear for flush fit into bench at 913mm high.
Safety	Dispose of hot ashes in approved metal container. Store hot ashes well clear of combustible material until cool.
Special Requirements	Must be kept well clear of combustible material (min 250mm from side and rear walls) in accordance with local regulation. To be installed and connected by qualified personnel in accordance with local regulation.

NOTES:

- INSTALLATION UNDER APPROVED EXHAUST HOOD/CANOPY REQUIRED (CHECK LOCAL CODES AND REGULATIONS)
- SERVICES REQUIRED - SEE BLUE TEXT
- ELECTRIC CHARCOAL IGNITION WAND SUPPLIED AS STANDARD 240VAC @ 10 AMP - 1 Phase POWER OUTLET REQUIRED UNDER OR NEAR APPLIANCE
- GAS CHARCOAL IGNITION WAND AVAILABLE ON REQUEST
- TOTAL PACKED WEIGHT = Approx. 350kg (770lbs)



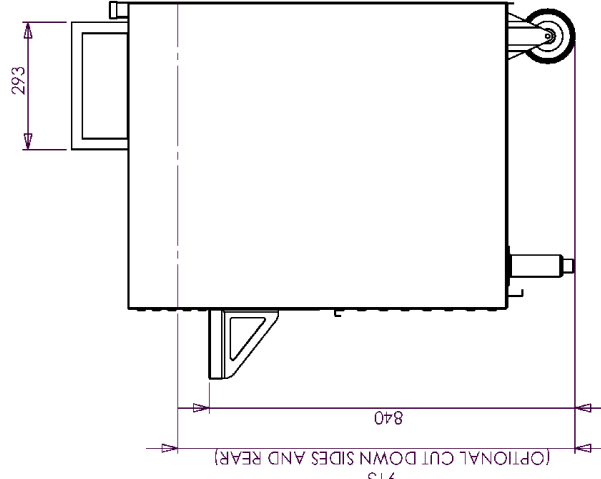
GRILLING PLATES TILTED UP FOR CHARCOAL LOADING/CLEANING (TOOLS SUPPLIED)



RESTING RACK

3 X REFRACTORY LINED CHARCOAL BINS UNDER GRILL PLATES

3 X REMOVABLE HEAVY DUTY MILD STEEL BRANDING GRATES

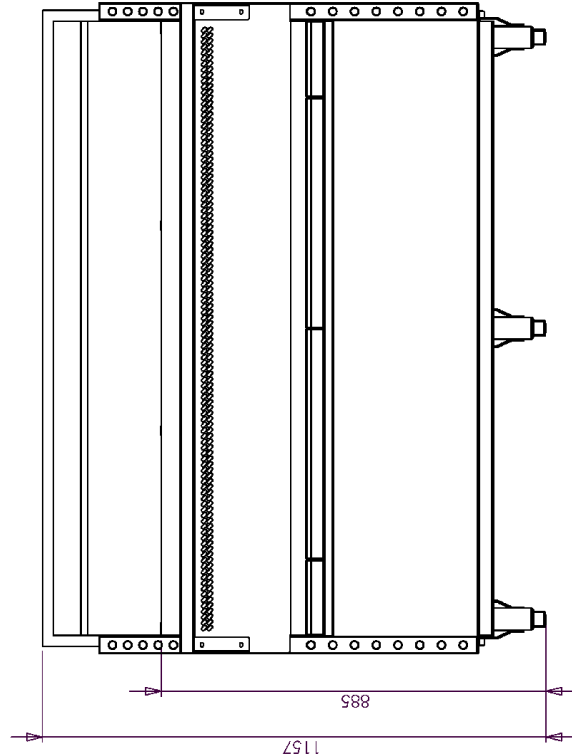


293

840

913

(OPTIONAL CUT DOWN SIDES AND REAR)



1157

885



BEECH OVENS
Australia
(617) 3397 0277

Drawn	S Trood	Checked	Scale	1:12	Date	17/01/2012
CHAR GRILL CHARCOAL RESTING RACK - HIGH SIDES STANDARD				1500mmW OD	A3	
				NTS - SITE MEASURE		
CGC1500-1000 - DETAILS						

REV.	DESCRIPTION OF CHANGES	DATE	CHANGED BY
0	ISSUED FOR CONSTRUCTION		

LAST EDITED: Tuesday, 17 January 2012 10:53:26 AM

©Copyright 2011 Beech Ovens Pty Ltd. All rights reserved.