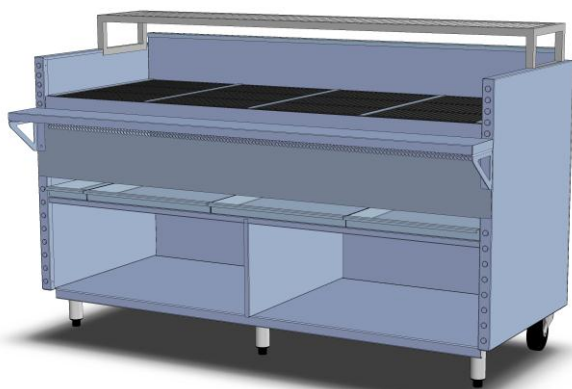




## PRODUCT



### MANUFACTURER

BEECH OVENS

### MODEL NUMBER

CGC1800

### PRODUCT DESCRIPTION

Charcoal Fired Char Grill – 1800mm Wide OD

**OA Width:**

1800mm.

**OA Depth:**

869mm.

**OA Height:**

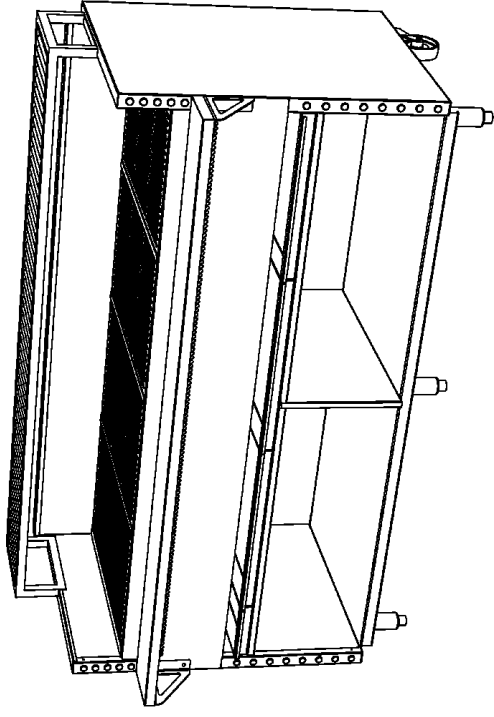
1157mm.

**MANUFACTURED IN AUSTRALIA**

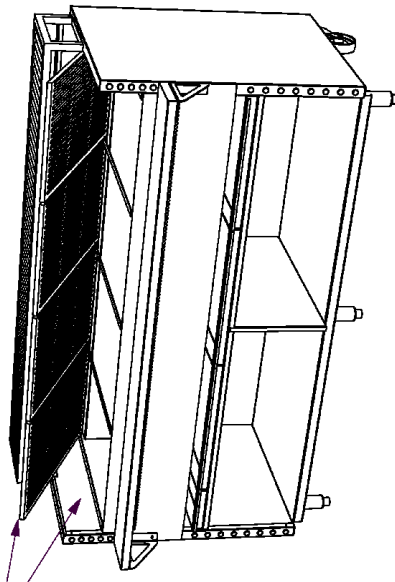
[www.beechovens.com](http://www.beechovens.com)

## SPECIFICATIONS

<b>Purpose</b>	Charcoal Fired grill for cooking meat, fish and other dishes.
<b>Construction</b>	High quality stainless steel construction with 4 x heavy duty, removable mild steel branding grates. Heavy duty refractory lined charcoal bins. Castors rear and adjustable feet on front with storage shelf below, removable drip trays and resting/cooking rack above branding grates.
<b>Firing Type</b>	Charcoal (Gas option available – See separate brochure)
<b>Gas</b>	N/A
<b>Exhaust Requirements</b>	Under locally approved exhaust Canopy/Hood.
<b>MEP Ratings</b>	Gas Connection - N/A Electrical – 240VAC @ 50Hz 10Amp – 1 Phase power point for electric Charcoal Ignition Wand. Install under approved exhaust Canopy/Hood.
<b>Capacity</b>	Grilling surface approx. 4 x 418mm wide x 645mm deep.
<b>Accessories</b>	Grate cleaning tool. Stainless steel second tier resting rack. Optional cut down sides and rear for flush fit into bench at 913mm high.
<b>Safety</b>	Dispose of hot ashes in approved metal container. Store hot ashes well clear of combustible material until cool.
<b>Special Requirements</b>	Must be kept well clear of combustible material (min 250mm from side and rear walls) in accordance with local regulation. To be installed and connected by qualified personnel in accordance with local regulation.

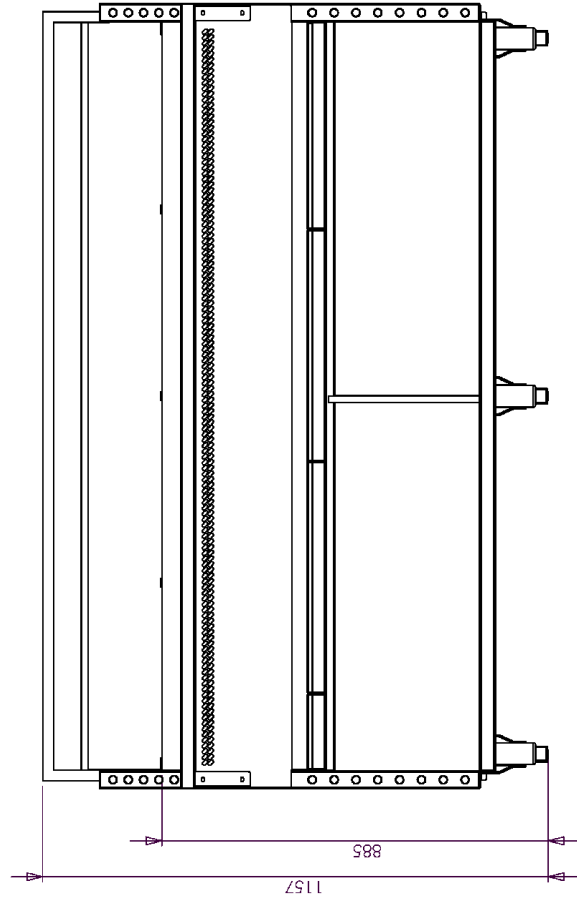
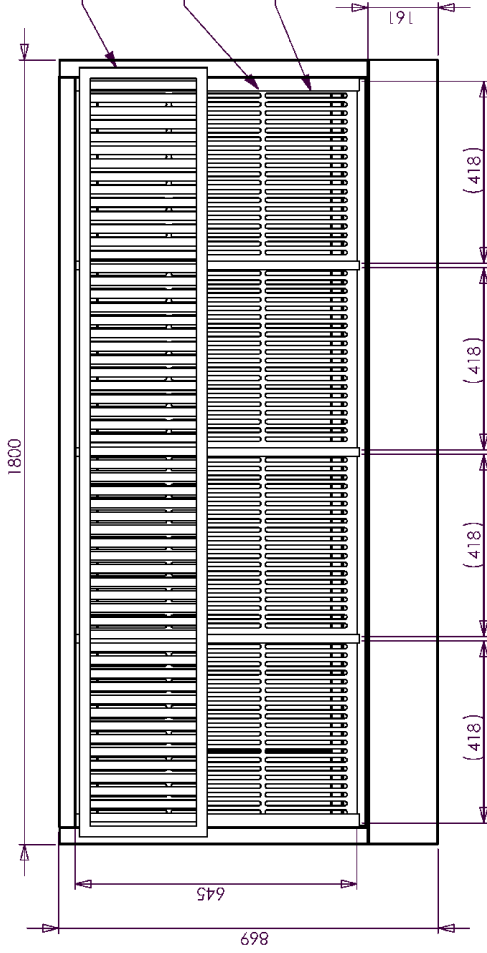


GRILLING PLATE TILTED UP FOR CHARCOAL LOADING/CLEANING (TOOLS SUPPLIED)

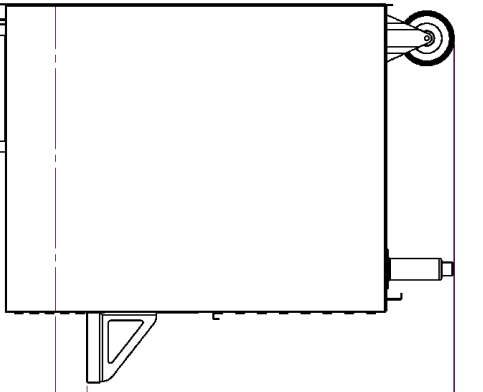


293

RESTING RACK  
4 X REFRACTORY LINED CHARCOAL BINS UNDER GRILL PLATES  
4 X REMOVABLE HEAVY DUTY MILD STEEL BRANDING GRATE



(OPTIONAL CUT DOWN SIDES AND REAR)



**NOTES:**

INSTALLATION UNDER APPROVED EXHAUST HOOD/CANOPY REQUIRED (CHECK LOCAL CODES AND REGULATIONS)

SERVICES REQUIRED - SEE BLUE TEXT

ELECTRIC CHARCOAL IGNITION WAND SUPPLIED AS STANDARD 240VAC @ 10 Amp - 1 Phase POWER OUTLET REQUIRED UNDER OR NEAR APPLIANCE

GAS CHARCOAL IGNITION WAND AVAILABLE ON REQUEST

TOTAL PACKED WEIGHT = Approx 450kg (990lbs)



**BEECH OVENS**  
Australia  
(617) 3397 0277

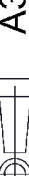
Drawn S Trood

Checked

Scale 1:12

Date 17/01/2012

CHAR GRILL CHARCOAL 1800mmw OD RESTING RACK - HIGH SIDES STANDARD



NTS - SITE MEASURE

**CGC1800-1000 - DETAILS**

0 ISSUED FOR CONSTRUCTION  
REV. DESCRIPTION OF CHANGES

LAST EDITED: Tuesday, 17 January 2012 11:46:01 AM

©Copyright 2011 Beech Ovens Pty Ltd. All rights reserved.

DATE CHANGED BY