



## PRODUCT



### MANUFACTURER

BEECH OVENS

### MODEL NUMBER

CGG0900

### PRODUCT DESCRIPTION

Gas Fired Char Grill – 900mm Wide OD

**OA Width:**

900mm.

**OA Depth:**

869mm.

**OA Height:**

1157mm.

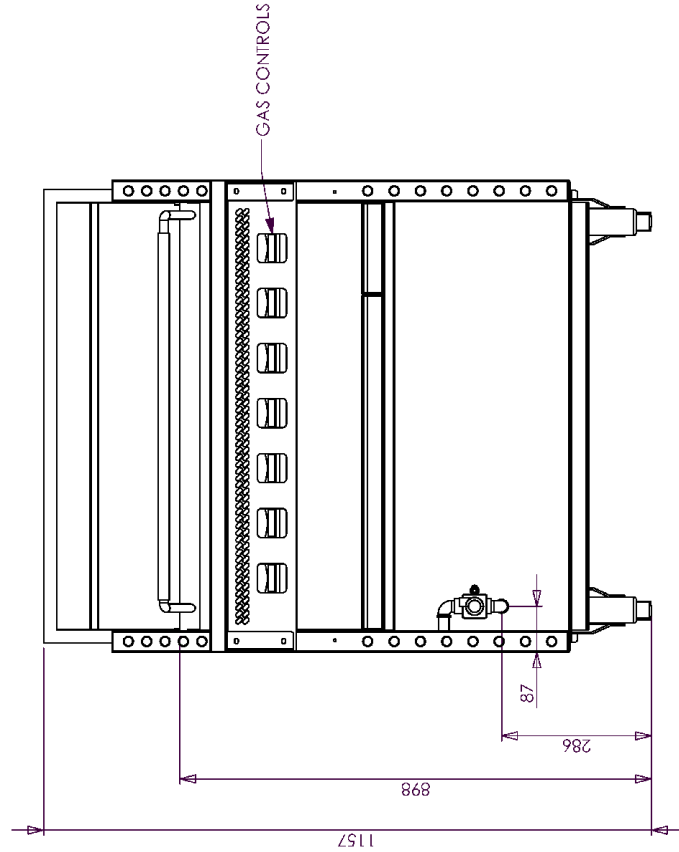
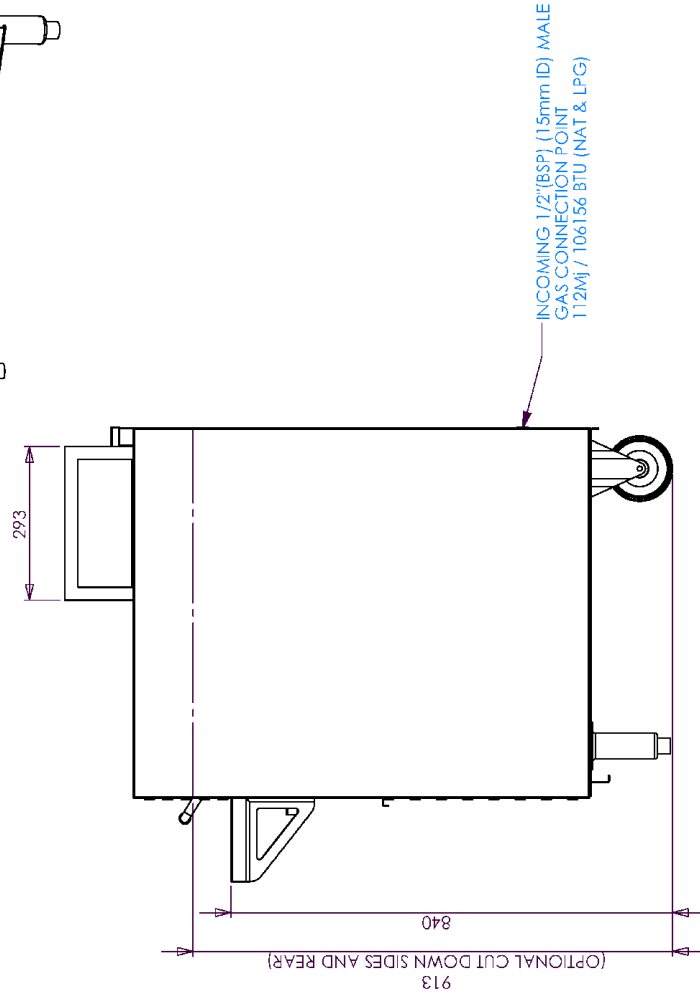
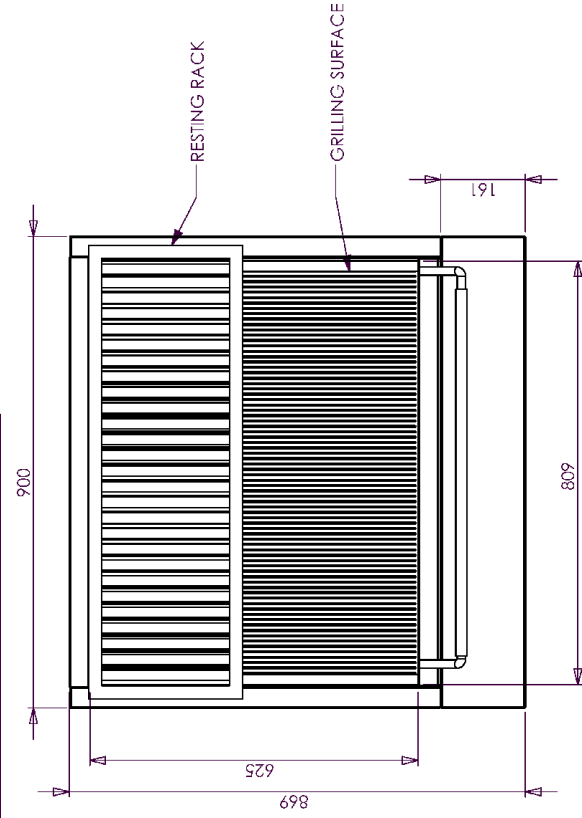
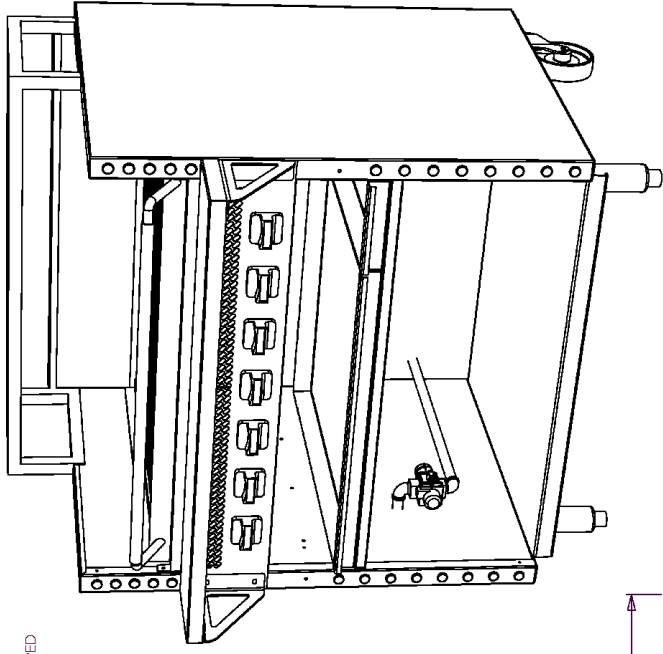
**MANUFACTURED IN AUSTRALIA**

[www.beechovens.com](http://www.beechovens.com)

## SPECIFICATIONS

<b>Purpose</b>	Gas Fired grill for cooking meat, fish and other dishes.
<b>Construction</b>	High quality stainless steel construction with heavy duty, adjustable SS grilling grate. High energy SS burners with SS radiant hoods with flame failure as standard. Castors rear and adjustable feet on front with storage shelf below, removable drip trays and resting/cooking rack above grilling grate.
<b>Firing Type</b>	Gas (Charcoal option available – See separate brochure)
<b>Gas</b>	112Mj - 106156 BTU (NAT & LPG)
<b>Exhaust Requirements</b>	Under locally approved exhaust Canopy/Hood.
<b>MEP Ratings</b>	Gas Connection – 15mm(ID) / 1/2" line (Male fitting to rear of appliance) Electrical N/A Install under approved exhaust Canopy/Hood.
<b>Capacity</b>	Grilling surface approx. 810mm wide x 625mm deep.
<b>Accessories</b>	Grate cleaning tool. Stainless steel second tier resting rack. Optional cut down sides and rear for flush fit into bench at 913mm high.
<b>Safety</b>	Grill and associated systems are tested and approved to AS 4563-2004. Approval GA-102405-004. Compliant Gas systems with flame failure device.
<b>Special Requirements</b>	Gas isolation valve to be supplied and installed by others prior to appliance. Must be kept well clear of combustible material (min 250mm from side and rear walls) in accordance with local regulation. To be installed and connected by qualified personnel in accordance with local regulation.

**NOTES:**  
 INSTALLATION UNDER APPROVED EXHAUST HOOD/CANOPY REQUIRED  
 (CHECK LOCAL CODES AND REGULATIONS)  
 SERVICES REQUIRED - SEE BLUE TEXT  
 TOTAL PACKED WEIGHT = Approx 230kg (500lbs)



<p><b>BEECH OVENS</b> Australia (617) 3397 0277</p>		Drawn S Trood Checked Scale 1:10 Date 16/01/2012
CHAR GRILL GAS - 900mm WIDE OD RESTING RACK - HIGH SIDES STANDARD		A3 NTS - SITE MEASURE
0 ISSUED FOR CONSTRUCTION REV. DESCRIPTION OF CHANGES	DATE CHANGED BY	©Copyright 2011 Beech Ovens Pty Ltd. All rights reserved.
LAST EDITED: Monday, 16 January 2012 12:14:37 PM		CGG0900-1000 - DETAILS