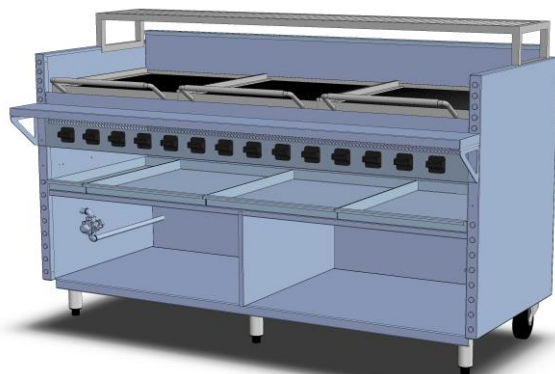




PRODUCT



MANUFACTURER

BEECH OVENS

MODEL NUMBER

CGG1800

PRODUCT DESCRIPTION

Gas Fired Char Grill – 1800mm Wide OD

OA Width:

OA Depth:

OA Height:

1800mm.

869mm.

1157mm.

MANUFACTURED IN AUSTRALIA

www.beechovens.com

SPECIFICATIONS

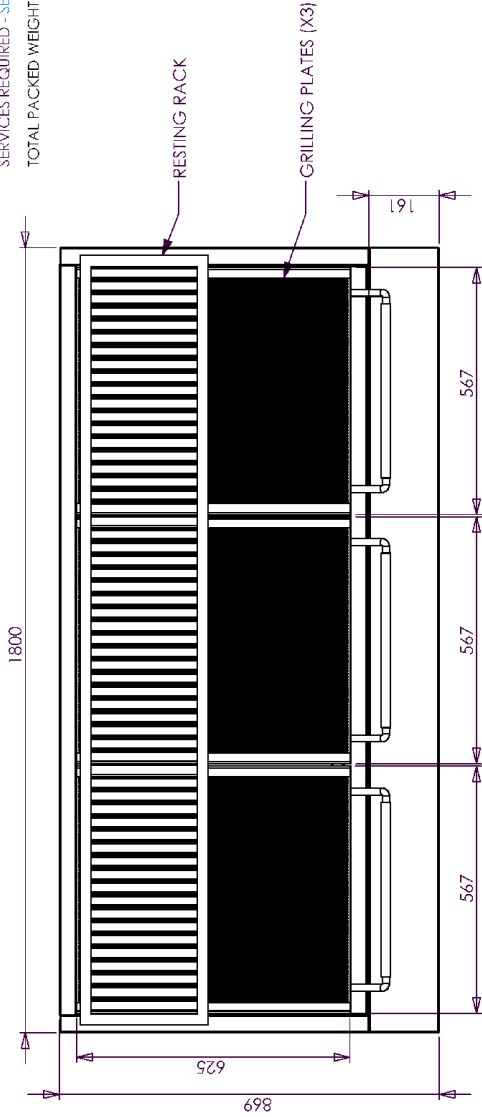
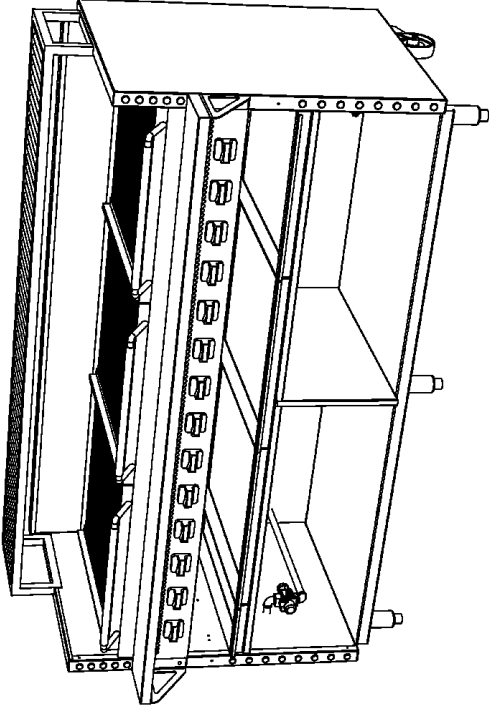
Purpose	Gas Fired grill for cooking meat, fish and other dishes.
Construction	High quality stainless steel construction with heavy duty, adjustable SS grilling grates. High energy SS burners with SS radiant hoods with flame failure as standard. Castors rear and adjustable feet on front with storage shelf below, removable drip trays and resting/cooking rack above grilling grates.
Firing Type	Gas (Charcoal option available – See separate brochure)
Gas	224Mj - 212311 BTU (NAT & LPG)
Exhaust Requirements	Under locally approved exhaust Canopy/Hood.
MEP Ratings	Gas Connection – 2 x 15mm(ID) / 1/2" line (Male fittings to rear of appliance) Electrical N/A Install under approved exhaust Canopy/Hood.
Capacity	Grilling surface approx. 3 x 570mm wide x 625mm deep.
Accessories	Grate cleaning tool. Stainless steel second tier resting rack. Optional cut down sides and rear for flush fit into bench at 913mm high.
Safety	Compliant Gas systems with flame failure device.
Special Requirements	Gas isolation valve(s) to be supplied and installed by others prior to appliance. Must be kept well clear of combustible material (min 250mm from side and rear walls) in accordance with local regulation. To be installed and connected by qualified personnel in accordance with local regulation.

NOTES:

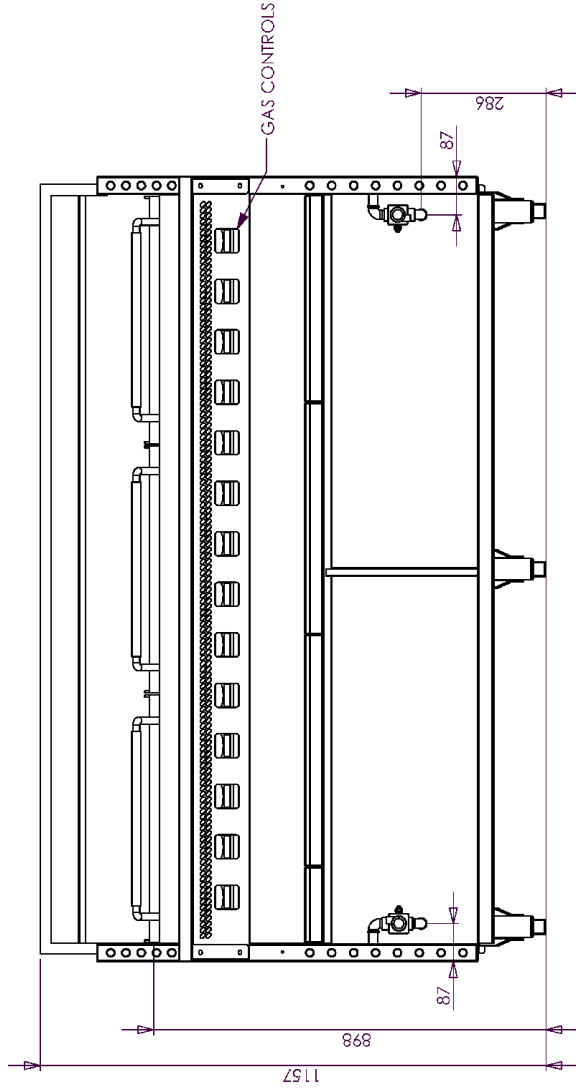
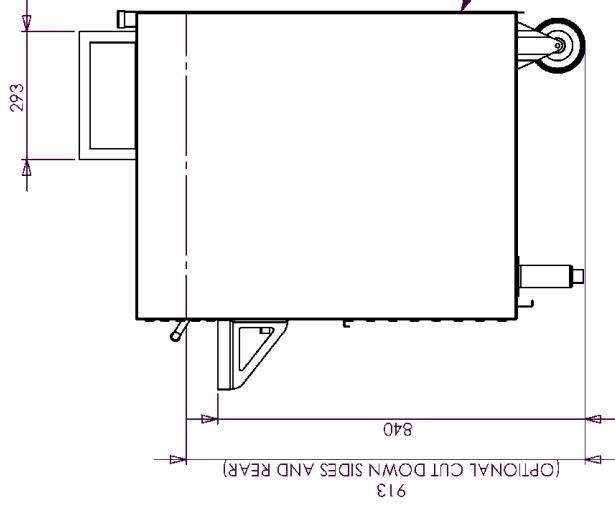
INSTALLATION UNDER APPROVED EXHAUST HOOD/CANOPY REQUIRED (CHECK LOCAL CODES AND REGULATIONS)

SERVICES REQUIRED - SEE BLUE TEXT

TOTAL PACKED WEIGHT = Approx 450kg (990lbs)



INCOMING 2 X 1/2" (BSP) (15mm ID) MALE GAS CONNECTION POINT
2 X 112mmj = 224mmj / 212311 BTU (NAT & LPG)



BEECH OVENS
Australia
(617) 3397 0277

Drawn	S Trood	Checked	Scale	1:12	Date	16/01/2012
CHAR GRILL GAS - 1800mm WIDE OD RESTING RACK - HIGH SIDES STANDARD				A3		
				NTS - SITE MEASURE		

ISSUED FOR CONSTRUCTION
DESCRIPTION OF CHANGES
0
REV.

DATE
Monday, 16 January 2012 4:20:37 PM

CHANGED BY

©Copyright 2011 Beech Ovens Pty Ltd. All rights reserved.

LAST EDITED:

16/01/2012

1:12

S Trood

Checked

Scale

1:12

Date

16/01/2012

Drawn

S Trood

Checked

Scale

1:12

Date

16/01/2012

Drawn

S Trood

Checked

Scale

1:12

Date

16/01/2012

Drawn

S Trood

Checked

Scale

1:12

Date

16/01/2012

Drawn

S Trood

Checked

Scale

1:12

Date

16/01/2012

Drawn

S Trood

Checked

Scale

1:12

Date

16/01/2012

Drawn

S Trood

Checked

Scale

1:12

Date

16/01/2012

Drawn

S Trood

Checked

Scale

1:12

Date

16/01/2012

Drawn

S Trood

Checked

Scale

1:12

Date

16/01/2012

Drawn

S Trood

Checked

Scale

1:12

Date

16/01/2012

Drawn

S Trood

Checked

Scale

1:12

Date

16/01/2012

Drawn

S Trood

Checked

Scale

1:12

Date

16/01/2012

Drawn

S Trood

Checked

Scale

1:12

Date

16/01/2012

Drawn

S Trood

Checked

Scale

1:12

Date

16/01/2012

Drawn

S Trood

Checked

Scale

1:12

Date

16/01/2012

Drawn

S Trood

Checked

Scale

1:12

Date

16/01/2012

Drawn

S Trood

Checked

Scale

1:12

Date

16/01/2012

Drawn

S Trood

Checked

Scale

1:12

Date

16/01/2012

Drawn

S Trood

Checked

Scale

1:12

Date

16/01/2012

Drawn

S Trood

Checked

Scale

1:12

Date

16/01/2012

Drawn

S Trood

Checked

Scale

1:12

Date

16/01/2012

Drawn

S Trood

Checked

Scale

1:12

Date

16/01/2012

Drawn

S Trood

Checked

Scale

1:12

Date

16/01/2012

Drawn

S Trood

Checked

Scale

1:12

Date

16/01/2012

Drawn

S Trood

Checked

Scale

1:12

Date

16/01/2012

Drawn

S Trood

Checked

Scale

1:12

Date

16/01/2012

Drawn

S Trood

Checked

Scale

1:12

Date

16/01/2012

Drawn

S Trood

Checked

Scale

1:12

Date

16/01/2012

Drawn

S Trood

Checked

Scale

1:12

Date

16/01/2012

Drawn

S Trood

Checked

Scale

1:12

Date

16/01/2012

Drawn

S Trood

Checked

Scale

1:12

Date

16/01/2012

Drawn

S Trood

Checked

Scale

1:12

Date

16/01/2012

Drawn

S Trood

Checked

Scale

1:12

Date

16/01/2012

Drawn

S Trood

Checked

Scale

1:12

Date

16/01/2012

Drawn

S Trood

Checked

Scale

1:12

Date

16/01/2012

Drawn

S Trood

Checked

Scale

1:12

Date

16/01/2012

Drawn

S Trood

Checked

Scale

1:12

Date

16/01/2012

Drawn

S Trood

Checked

Scale

1:12

Date

16/01/2012

Drawn

S Trood

Checked

Scale

1:12

Date

16/01/2012

Drawn

S Trood

Checked

Scale

1:12

Date

16/01/2012

Drawn

S Trood

Checked

Scale

1:12

Date

16/01/2012

Drawn

S Trood

Checked

Scale

1:12