



PRODUCT



MANUFACTURER

BEECH OVENS

MODEL NUMBER

TRN0500 (*500 Series*) / TRN0700 (*700 Series*)

PRODUCT DESCRIPTION

Round Tandoor – Charcoal, Gas or Electric

Ext Diameter: **Int Diameter:** **Height:**

850mm/1050mm. 500mm/700mm. 900mm.

MANUFACTURED IN AUSTRALIA

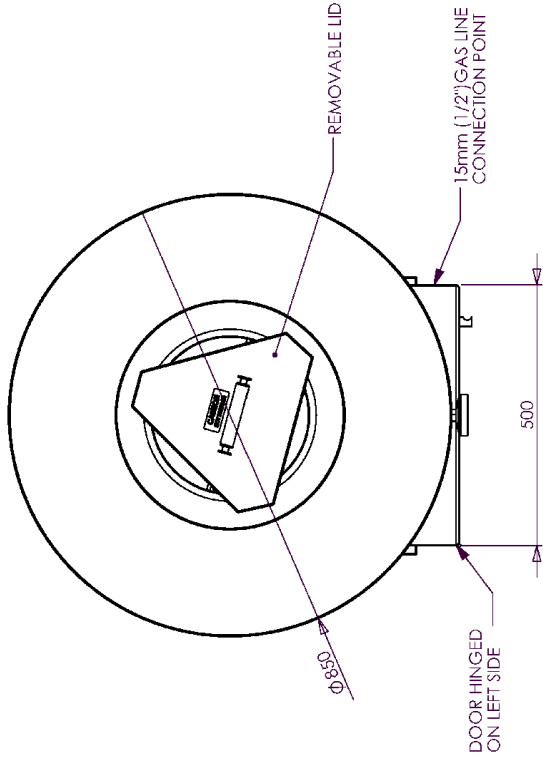
www.beechovens.com

SPECIFICATIONS

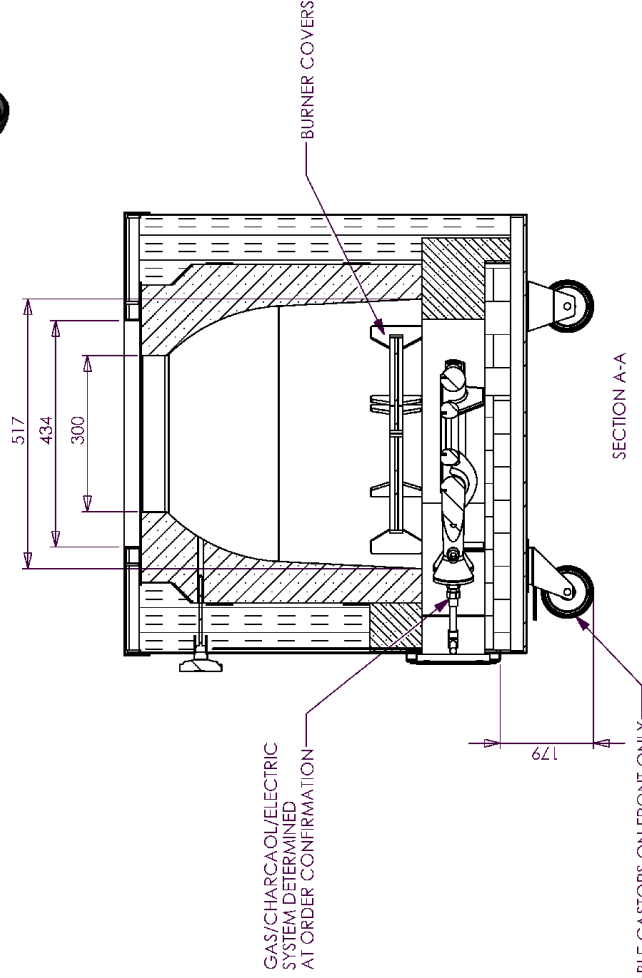
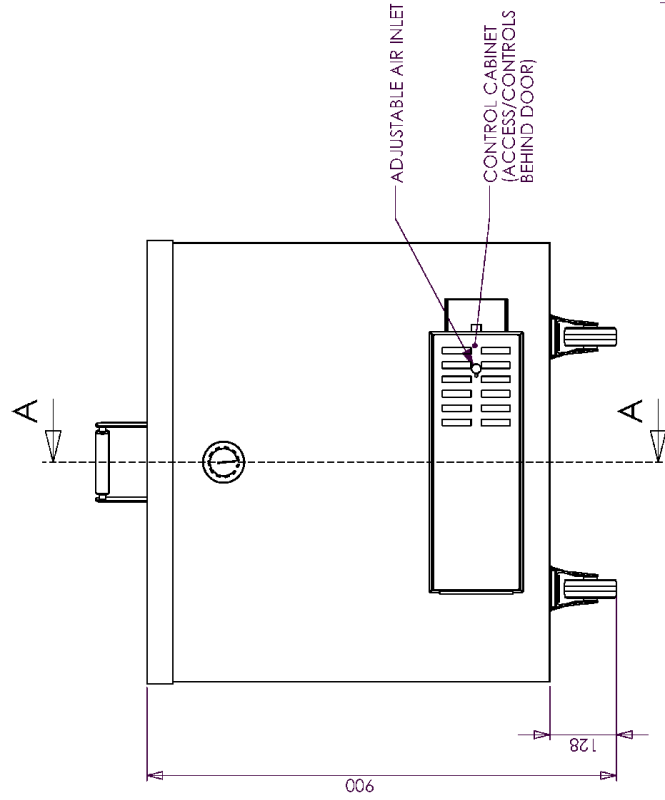
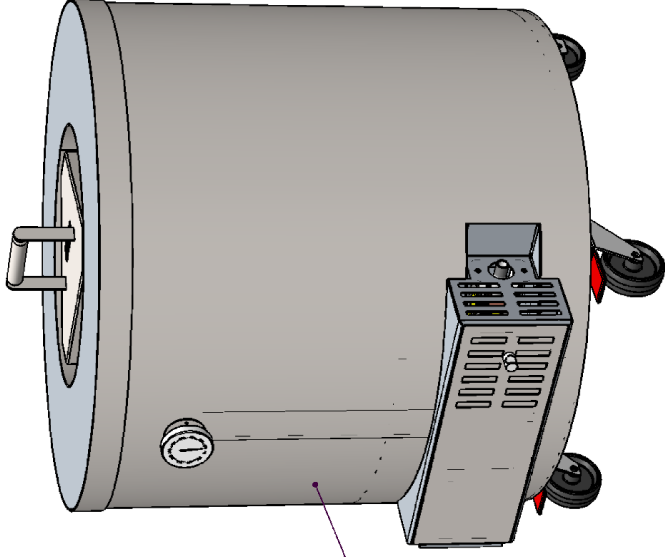
Purpose	Charcoal, Gas or Electric fired Tandoor oven for cooking Naan Bread and foods on skewers.
Construction	High grade castable ceramic or mild steel inner surrounded by compacted insulation encased in 1.6mm Stainless Steel outer casing. Insulated 5mm Stainless Steel base with high grade tile floor and castable lower firing chamber.
Firing Type	Charcoal, Gas or Electric.
Gas/Electric	Gas - 60Mj (56869 BTU) NAT / LPG (<i>Dual ring Cast iron Burner</i>). Electric – 11Kw, 380V-450V 3 Phase.
Exhaust Requirements	Under Canopy/Exhaust Hood.
MEP Ratings	Gas Connection – 15mm (1/2") gas connection line. Electrical (<i>for Gas Fired</i>) – N/A. Electrical (<i>Electric Fired</i>) – 5 core supply cable to main control cabinet, no neutral. Thermocouple cable (<i>supplied</i>) to be connected in control cabinet upon connection.
Capacity	Internal surface area approx. 0.75m ² (<i>500 Series</i>) - 1.01m ² (<i>700 Series</i>). Capacity varies between Naan size and operator.
Accessories	SS Hook, Spade, Lid, Ash Scraper (<i>Charcoal</i>), 10 x SS Skewers, Analogue Thermometer. Optional Adjustable Feet to replace castors. Optional Sarj/Roti Top Optional Downdraft top (<i>Electric ONLY</i>) Optional Skewer rack (<i>Freestanding or Wall mounted – holds approx. 10 skewers</i>) Optional 2 and 3 station common stone top supports (<i>stone by others – cut detail provided</i>)
Safety	Oven and associated systems are CE and UL compliant. UL Tested to Subject 2162 (<i>Charcoal/Gas Fired</i>). Complies to USA "ANSI-NSF standard 4" Exterior temperatures below 50°C. Compliant Gas systems with flame failure device.
Special Requirements	Should be installed under an approved exhaust system (Canopy or Hood) Floor surface and substrate to be constructed using non-combustible materials extending 800mm. Immediate surrounding area to be constructed using non-combustible materials.

SERVICES REQUIRED

- GAS HEAT INPUT 60MJ (56000 BTU)
- 15mm (1/2") GAS LINE CONNECTION WITH ISOLATION VALVE
- ELECTRIC CONNECTION - 11Kw - 380-450V 3 PHASE (NO NEUTRAL)
- EXHAUST DUCTING/CANOPY IN ACCORDANCE WITH LOCAL REGULATIONS



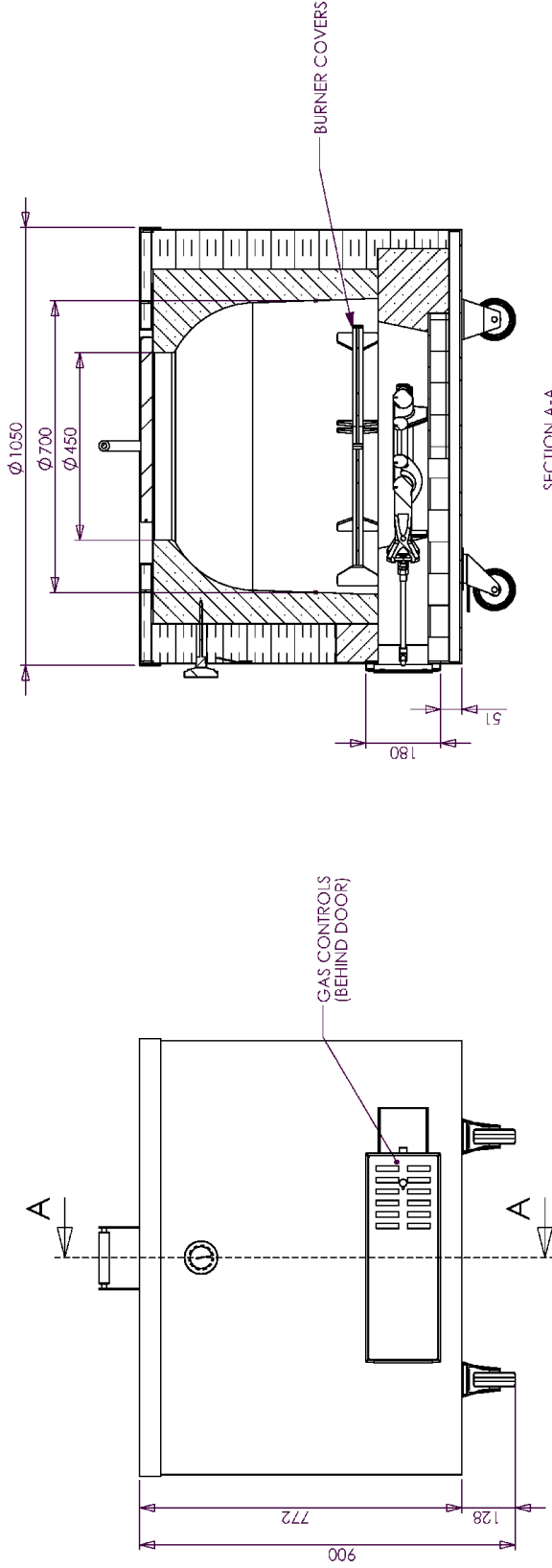
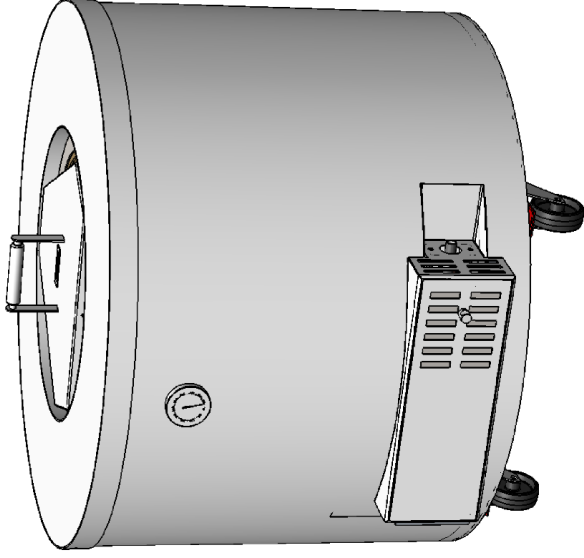
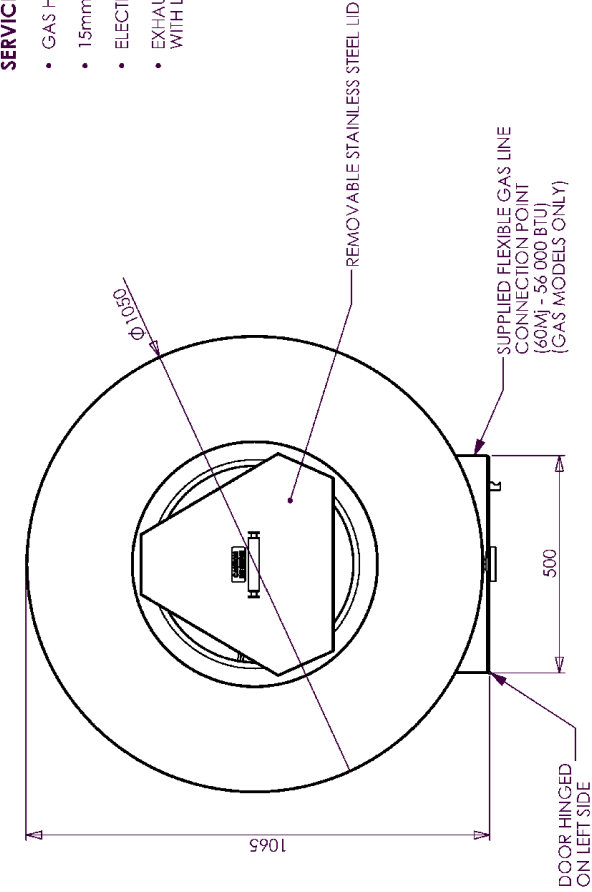
STAINLESS STEEL OUTER AND TOP



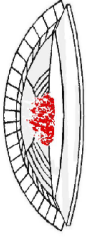
Drawn	S Trood	Checked	Scale	1:10	Date	24/10/2011
TANDOOOR ROUND Ø500mm INTERNAL STAINLESS STEEL FINISH STANDARD				A3		
				NTS - SITE MEASURE		
TRN0500-1000 - BASIC DETAILS						
REV.	0	ISSUED FOR CONSTRUCTION	DATE	CHANGED BY		
LAST EDITED:	Monday, 24 October 2011 10:07:53 PM	DESCRIPTION OF CHANGES				
©Copyright 2006 Beech Ovens Pty Ltd. All rights reserved.						

SERVICES REQUIRED

- GAS HEAT INPUT 60MJ (56000 BTU)
- 15mm (1/2") GAS LINE CONNECTION
- ELECTRIC - 11Kw, 3 PHASE - 15A per PHASE - NO NEUTRAL
- EXHAUST DUCTING/CANOPY IN ACCORDANCE WITH LOCAL REGULATIONS



SECTION A-A

 <p>BEECH OVENS Australia (617) 3397 0277</p>		Drawn S Trood Checked Scale 1:12 Date 24/10/2011
TANDOOOR ROUND Ø700mm INTERNAL STAINLESS STEEL FINISH STANDARD		A3 NTS - SITE MEASURE
TRN0700-1000 - BASIC DETAILS		
0 ISSUED FOR CONSTRUCTION REV. DESCRIPTION OF CHANGES	DATE CHANGED BY	©Copyright 2006 Beech Ovens Pty Ltd. All rights reserved.
LAST EDITED: Monday, 24 October 2011 3:15:22 PM		