



BEECH OCTAGONAL GRILL

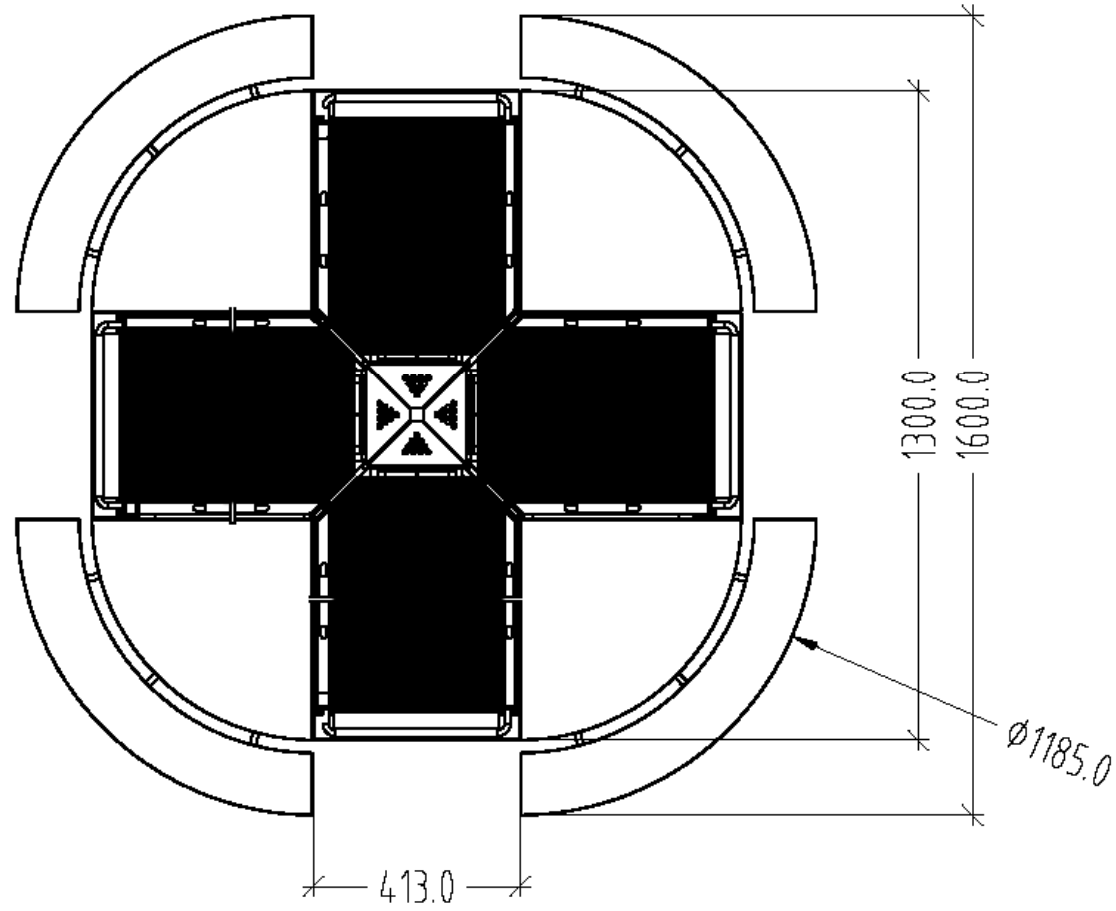
This unit is a custom built 4 station island char grill designed to be a spectacular feature in any display kitchen or theatre restaurant.

Unique Features:

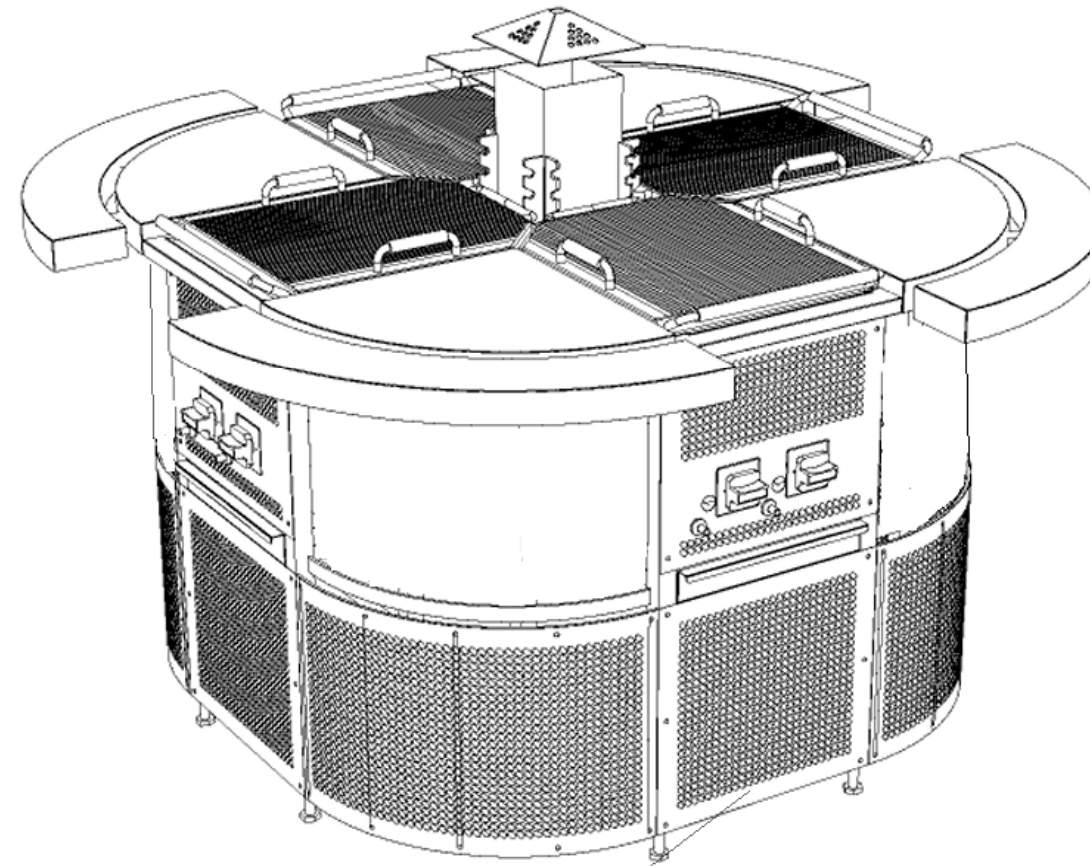
- High performance grills available in gas or charcoal with excellent cooking of all meat, chicken, fish or vegetables.
- Option to substitute flare grate sections with flued smooth griddle plate sections.
- Grill plates and gas burners remove easily for cleaning.
- Full flame failure fitted to all gas systems for safety.
- Smoking chips can be placed onto the drip tray of the gas grills to add flavour.
- Contains perforated stainless steel panels for ventilation. Air circulation helps keep the unit cool and prevents excess heat build up around the unit.
- Additional features available on request such as rotisseries over the grill.



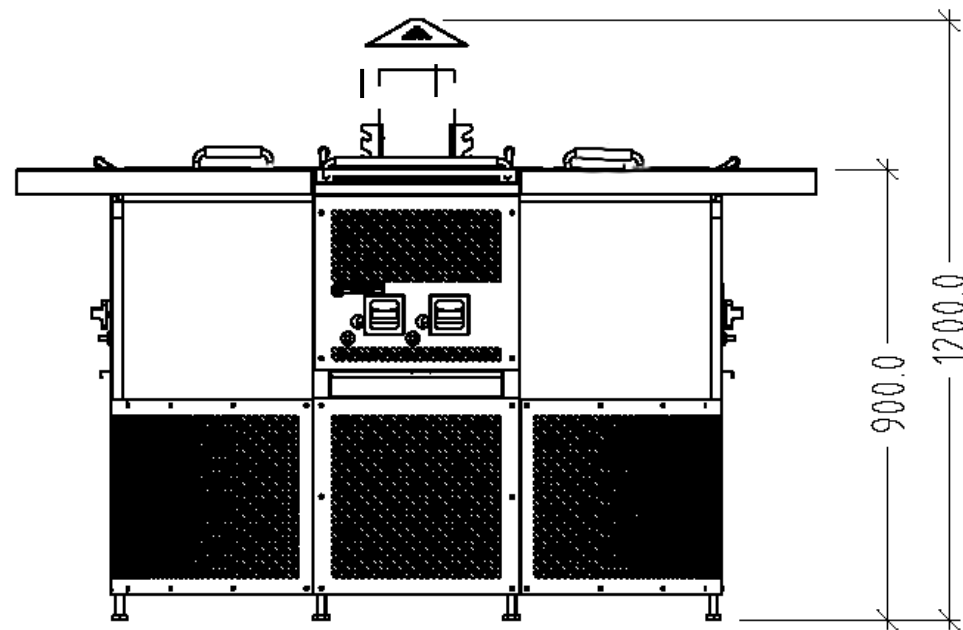
TOP VIEW



PICTORIAL



SIDE VIEW



STAINLESS STEEL
HINGED ACCESS DOOR

Gas Consumption 4 X 64mJ's
No Electrical Req'd.
Exhaust by overhead canopy (not included)



BEECH OVENS

'WORLD LEADER IN SPECTACULAR COOKING EQUIPMENT'

4 STATION GRILL WITH 2 ROTTISSERIES
Overall Dimensions & Pictorial

Drawn	cad2	Drawing No.	BEECH- OCT-13-08-2004
Date	13/08/2004	Revision	-
Submitted		Scale	1/20
Approved		Paper Size	A4
Distribution List:		Material	Stainless Steel