

Spray Filter Maintenance and Cleaning Procedure



IMPORTANT: *Be sure to follow the Maintenance schedule instructions as outlined in the Installation and Operation Manual.*

Frequency for cleaning the Spray Filter will depend on the operation of the oven. Beech Ovens recommend minimum 3 monthly inspections to ascertain the frequency for cleaning.

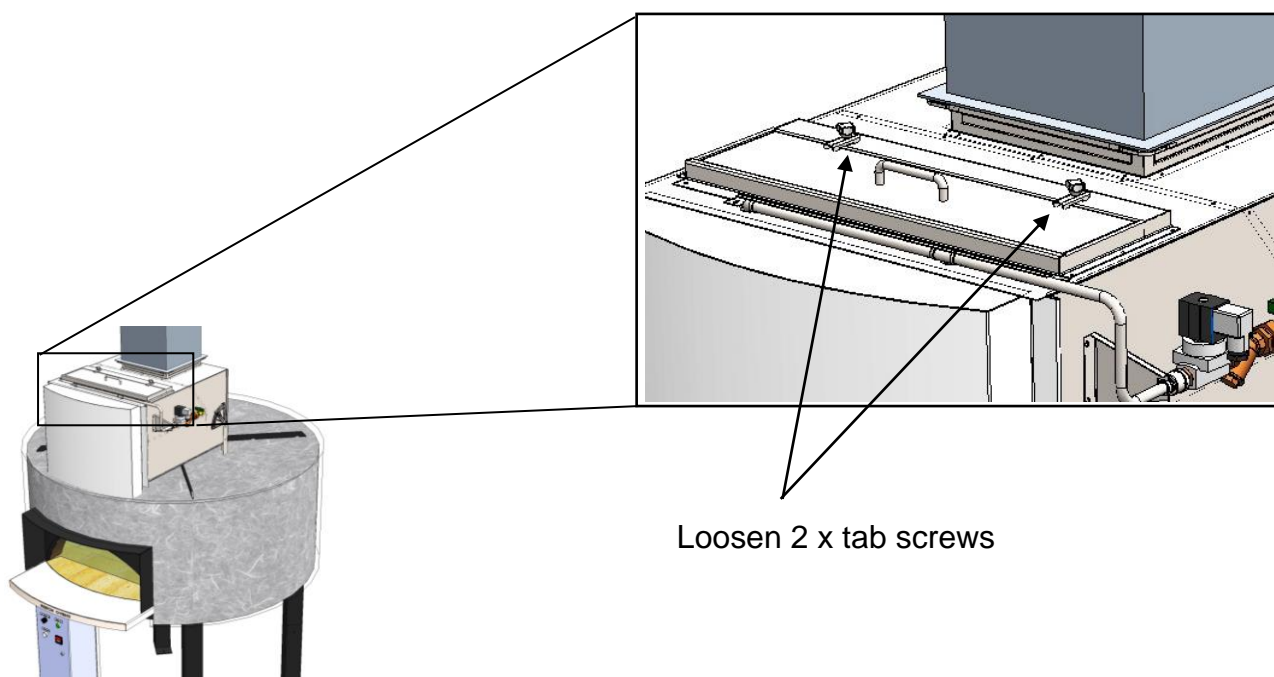
Cleaning the internal cyclonic filter



Note: *Be sure to **turn off the power and Gas** before any maintenance takes place on the oven. Maintenance should be carried out when the oven is cold.*

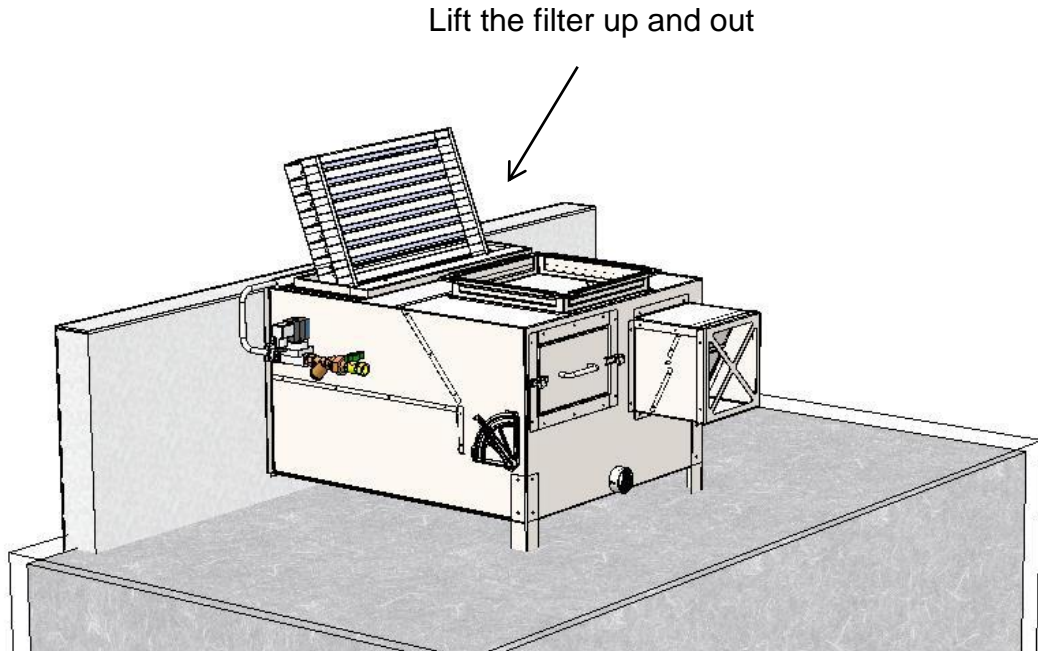
Step 1.

Remove the filter access panel by loosening the 2 x screw tabs. Slide the tabs to one side. Lift and slide the lid backwards to remove and place to one side.



Step 2.

With the access panel removed, reach into the cavity and find the handle to the internal cyclonic filter. Carefully lift and slide the filter forward, pulling it up and out.

**Step 3.**

Remove the cyclonic filter clean with a suitable cleaning agent. Check for any damage or distortion. Contact Beech Ovens head office for replacement parts if needed.

Step 4.

Replace the cyclonic filter in reverse order.



NOTE: Be sure the open slots of the filter are facing upwards and running left to right. Refer image above.

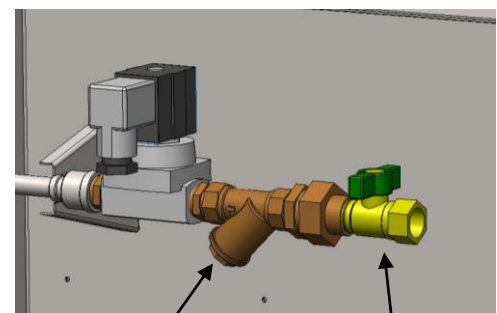
Check the water Y-Strainer

Step 1. Isolate the water supply at the inlet shut-off valve

Step 2. Remove the cap from the inline Y-Strainer and clean the internal mesh filter.

Step 3. Replace mesh filter and cap. Do not overtighten cap.

Step 4. Turn water back on and check for leaks.



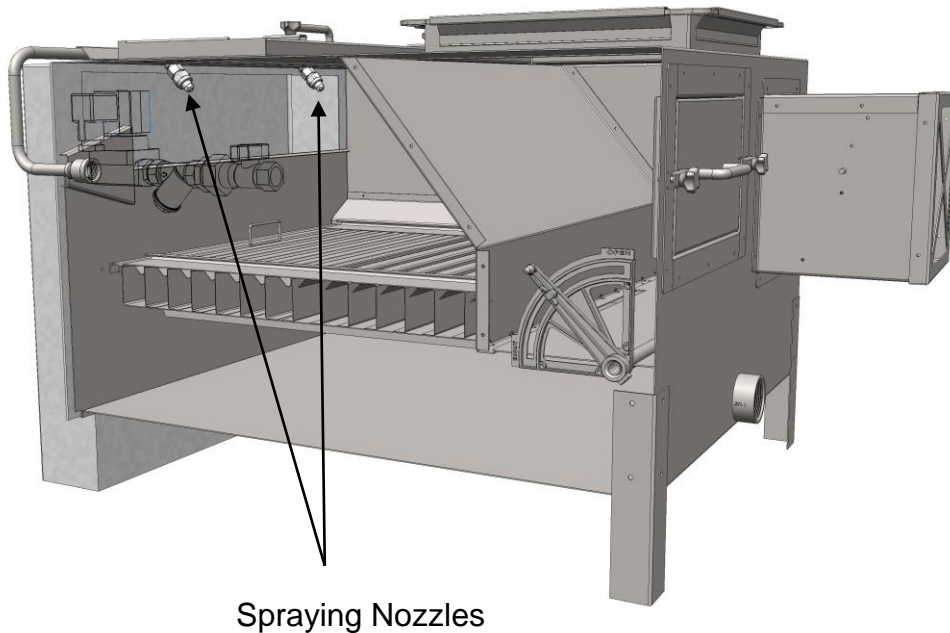
Y-Strainer

Shut-Off valve

Check/Clean Spraying Nozzles

To check the functionality of the spray nozzles, run the oven in a normal cycle where water should be flowing. A fine mist should be present from both nozzles. If the nozzles are not delivering a fine mist, the nozzles may require cleaning.

With the cyclonic filter access panel removed (see above step 1) inside the filter cavity towards the front of the spigot adapter are 2 x spray nozzles. These can be disassembled for cleaning if required.



Remove the internal filter by loosening the outer nut and removing the spray nozzle. Clean in a suitable cleaning agent to remove any blockages.

Replace in reverse order ensuring all connections are firm.
(NOTE: do not use any thread sealers)

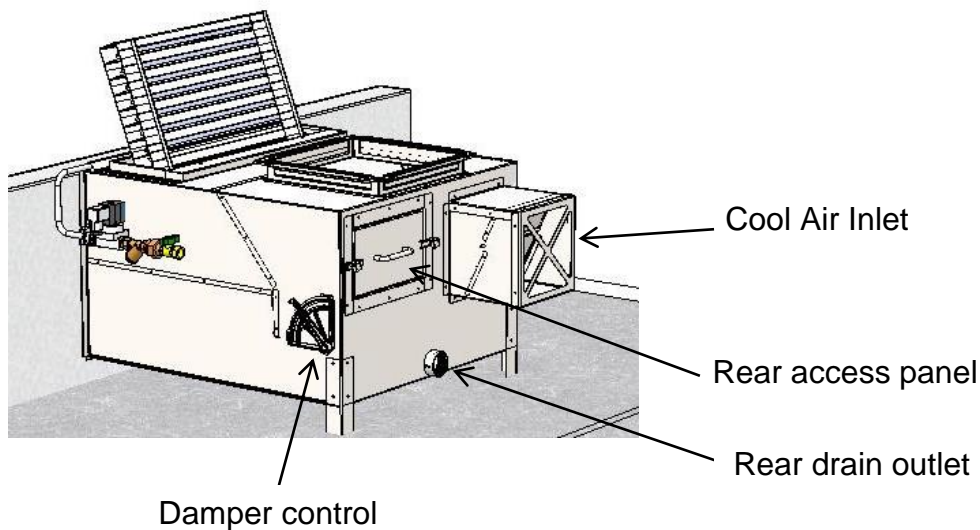


Check/Clean the Floor Pan and Drain

With the Filter access panel and cyclonic filter removed, check the lower pan of the Spray Filter for sediment build-up or debris which may have accumulated. Clean with a scraper, rag or suitable tool to remove any and all debris and sediment.

Remove the rear access panel of the Spray Filter to check/clean the rear portion of the floor pan.

Be sure to check the inlet to the rear drain that it is free from sediment and debris and that water can flow freely to the kitchen waste.



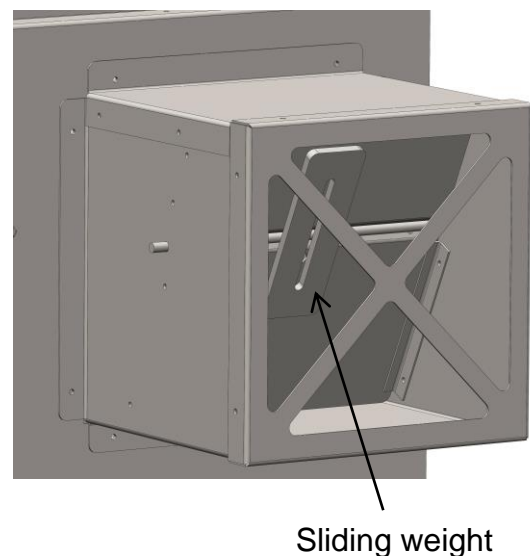
Check the Cool Air Inlet

The Cool Air Inlet device is designed to allow cool air to mix with the hot air from the oven to cool the exit temperatures of the exhaust before it enters the main ductwork.

Ensure that the flap/blade inside this device can move freely and is unobstructed by debris or foreign matter.

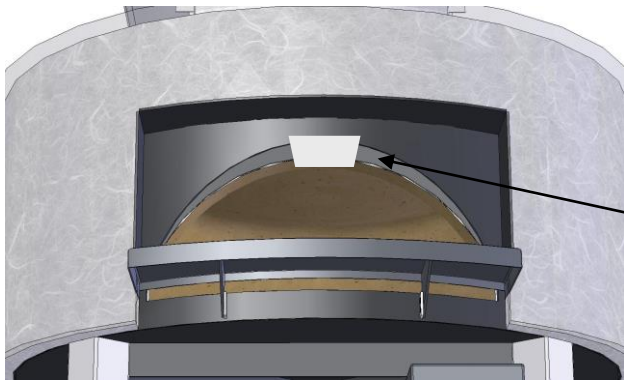
Be sure that the flap is well balanced. Adjust the sliding weight by loosening the tension screw and sliding the weight up or down to ensure the flap is balanced and moves freely and easily.

In most cases the weight is adjusted fully up.
Tighten the tension screw firmly once balanced.



Check the damper control.

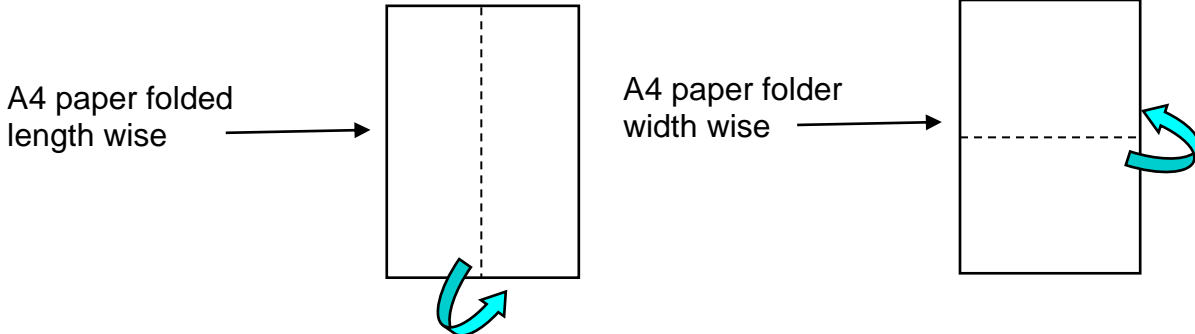
If the damper is moved during cleaning, be sure to check and re-calibrate the suction at the oven spigot. Refer to the A4 paper test below.



Exhaust spigot with paper folded **width wise** held in position.
(RND1300 Round oven)

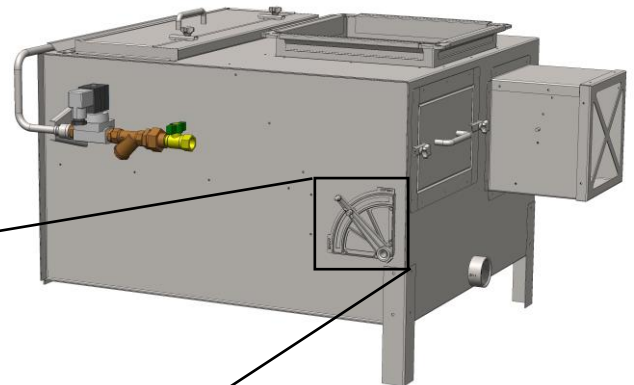
With the exhaust fan running, the suction at the exhaust spigot at the mouth of the oven should be enough to **hold a sheet of A4 paper folded in half width wise**. However, the suction should **NOT** be so much that it will hold the A4 paper when folded lengthwise.

NOTE: *It is acceptable to use either A4 or Letter size paper.*



If the sheet falls from position the System Damper will need to be adjusted (*opened slightly*) to increase the airflow.

NOTE: *When the System Damper is in a “SHUT” position, a small amount of air can still pass through the damper.*



To adjust, loosen wing nut and move the quadrant adjuster until correct required air flow is achieved.

